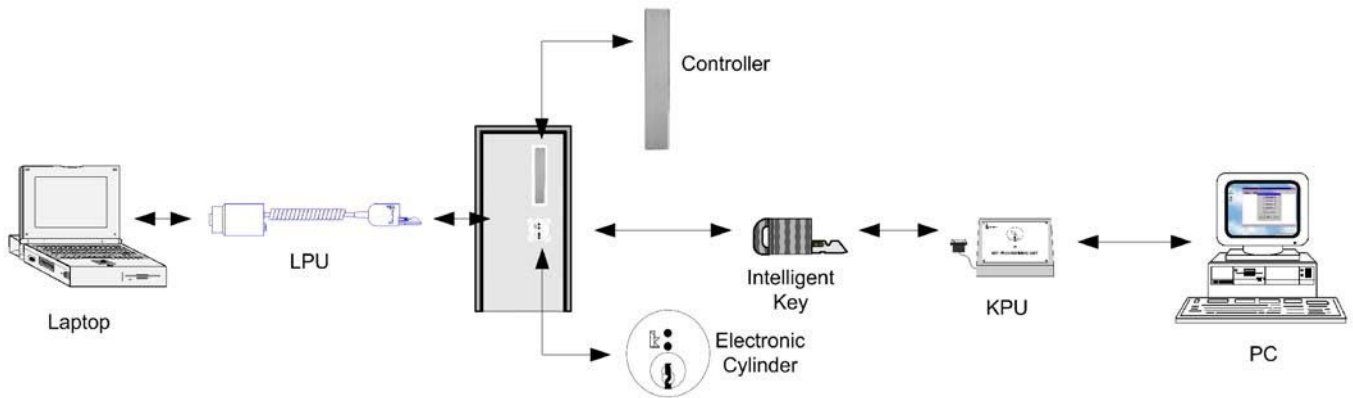




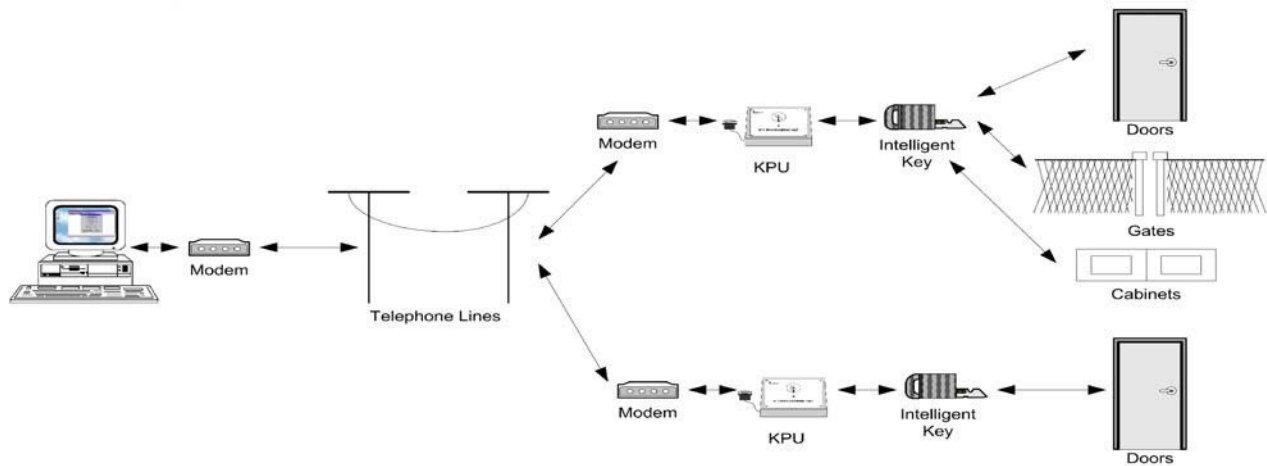
System 4000

System Diagrams (Examples)

1 - 4000 Doors



Remote Systems



Electrified Hardware Application

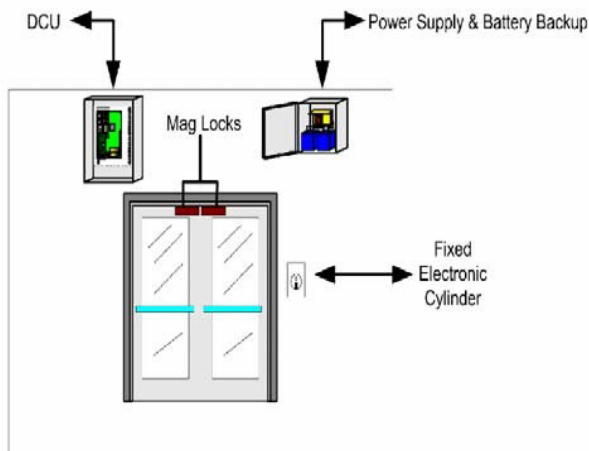


Table of Contents

Capabilities Overview	5
Quantum Plus Software Overview	7
Terms and Conditions	8
Limited Warranty	9
Basic System Packages and Keys	10
Slim Line Controller	11
Standard Controller	12
Mortised Controllers	13
Standard (End-User) Front-End Package	14
Multi Site Front-End Package	15
Intelligent Keys	16
Specialized System Applications	17
Cylindrical Lever Locksets with Controller	18
Gate Locks	19
Cabinet Lock with Controller	20
Door Control Unit with Fixed Cylinder	21
Mini Door Control Unit (Mini-DCU)	22
Demo Equipment	24
Service and Installation Tools	25
Cylindrical Lever Locksets	26
Electronic Cylinders	27
Controllers	28
Programming Equipment	29
Software	30
Cams and Rim Cylinder Kit	31
Cylinder Collars	32
Batteries and Escutcheons	33
Extension Cables and Door Transfer Loops	34
Technical Information	35
Dimension Drawings	36
DCU Terminal Connections Powered Output	42
DCU Terminal Connections Dry Contacts	43
Controller Terminal Connections	44
INTELLIKEY Technical Bulletins	45

System 4000

Capabilities Overview



Stand-Alone Electronics and Physical Security

- Provides electronic access control and mechanical locking functions/security
System does not require wiring to a computer and operates even if facility loses power
Capacity up to 4000 locks and 10,000 users
Access control at a fraction of the cost of hardwired systems
Cannot be defeated by wire cutting as with magnetic locks and electric strikes



Key Control

Each system uses a unique facility code
Each key is programmed and updated by authorized personnel only
Ability to control unauthorized duplications of keys
Lost keys or terminated key holders/keys can be removed from authorization list
Can create "Shut-out," "Disabler," "Emergency" and "Guard Tour" special function keys
New keys self-enable in authorized locks – no need to reprogram each lock
Time zones can be programmed into the key and the lock
Keys can be reprogrammed and reused over and over again
Keys can be assigned to work with individual locks, groups or placed into masterkey hierarchies



Quick Re-Keying

Electronic cylinder does not require re-pinning
Billions of combinations
Any user can be added, changed or disabled without affecting other keys
Keys can be programmed to perform changes to the lock controllers without bringing a computer to each lock
Re-keying can be accomplished by:

- Reprogramming user keys
- Reprogramming locks with a computer and lock programming unit
- Reprogramming locks using special function keys
- Reprogramming keys from a remote location via modem



Flexible Integration and Easy Retrofit

INTELLIKEY cylinders integrate into new systems or retrofit most mortise locks, rim devices, and key switches
Cylindrical lever locks, exit devices, deadbolts, and cabinet locks available for special applications
System can be interfaced with most electrified hardware
Retrofitted INTELLIKEY cylinders, locks, and devices do not affect the fire rating of doors
Controllers can be surface mounted or mortised into the door



Key and Lock Audit

Lock controllers record the last 1000 key access identities, dates and times
Keys record the last 45 uses including lock identities, dates and times
Audit trail can be saved in separate activity log for entire system
Audit information includes both authorized and unauthorized attempts



Time and Date Access Control

Time zones can be created to limit access to designated times and days
Customizable to each user/key and each lock
Expiration dates can be programmed into keys for applications such as:

- Construction keying
- Temporary keys
- School/University quarter and semester limits
- High employee turnover environments

Automatically adjusts to daylight savings time



Installation and Maintenance Ease

Easy-to-install controllers have self-contained electronics with plug connectors
Installation video, manual and CD available
Installation jigs available for door preparation
All INTELLIKEY locks, cylinders and devices are built to highest standard ANSI/BHMA
Grade 1 Battery life expectancy of 1-2 years under moderate usage
Can be hardwired with power supplies and battery backup for high frequency usage
Simple preventative maintenance procedures
Extensive product and system training available
Post warranty maintenance contracts available



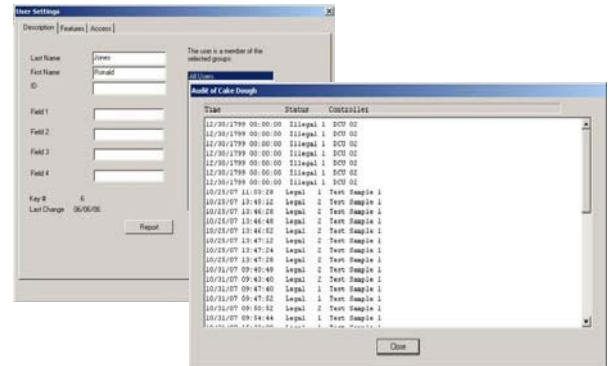
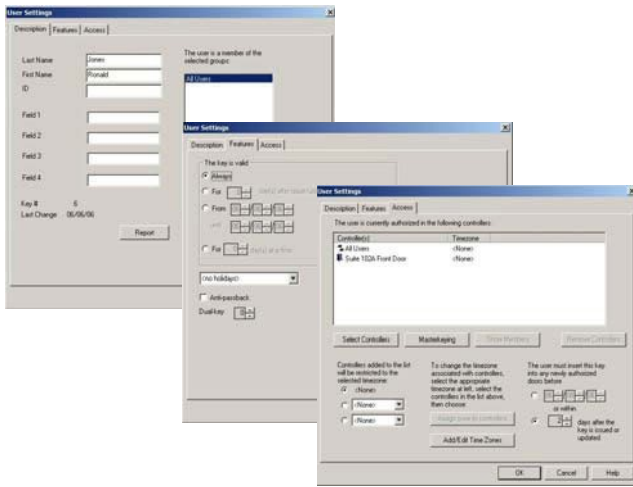
Software Flexibility and Upgrades

Configurable to individual facility requirements (see next *Page* on Software Capabilities)
Quantum Plus Software upgrades are backward compatible
System special features include:

- AREST[®] automatic restraint function disables unauthorized keys
- Dual-key Operation for setting access requirements for two specific keys within 15 seconds
- Anti-Passback prevention of multiple use of the same key in a given lock or cylinder

System 4000

Quantum Plus Software Overview

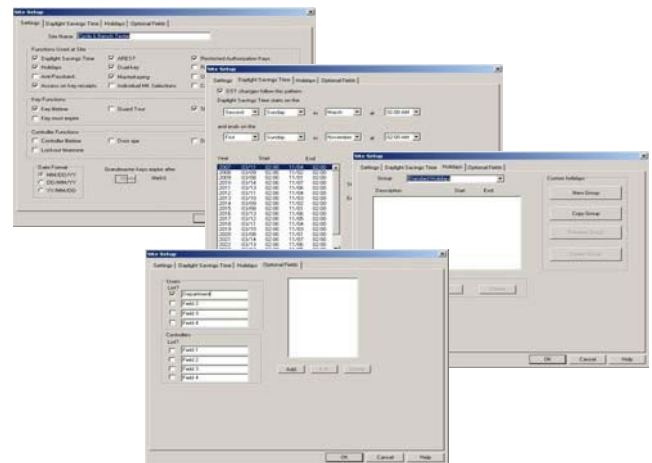
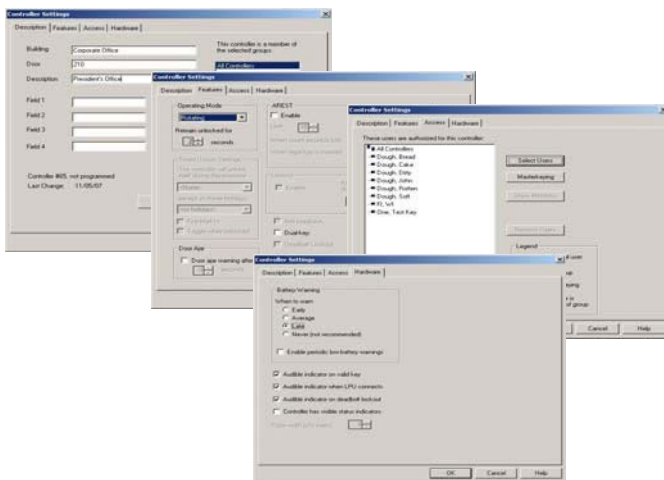


Key Holder Menu

- User information database
- User access by individual doors or by groups
- Auto-enable period for new/updated keys
- Life-span on keys

Audit Report Menu (Key Activity Audit Shown)

- For locks, keys and all activity of both
- Date, time, location and user information
- Custom reports



Lock Controller Menu

- User access individually, by group or by masterkey levels
- Time zones by individual doors or groups
- Battery warning level
- Timed unlock function
- Cylinder operating mode

Software Setup Menus

- Customize user and controller database fields
- Restrict individual system operators to various levels of authoring

Terms and Conditions

System 4000

Acceptance:

INTELLIKEY Corporation reserves the right to refuse an order or withhold shipment of an order, in whole or in part, from customers whose account is past due or credit worthiness is not satisfactory to INTELLIKEY.

Prices and Terms:

All prices shown are list prices US dollars and do not include sales taxes. Prices, terms and conditions are subject to change without notice. All shipments will be made at prices in effect at time of shipment.

Possession of this catalog does not constitute an agreement to sell. (INTELLIKEY Corp. retains the right to sell or to decline to sell to any customer for any reason whatsoever when in its judgment is deemed sufficient.)

It is understood that INTELLIKEY Corp. may impose and charge a finance charge of one and one-half percent (1 1/2%) per month or the highest rate allowed by law on any amount which becomes past due and delinquent. Additionally, the customer shall be responsible for all collection costs, court costs and reasonable attorney's fees (where allowed by law) in connection with the recovery of any delinquent amount.

Freight:

All shipments of INTELLIKEY products are FOB, Melbourne, FL. When delivered to the Transportation Company, the purchaser assumes the risk of loss or damage in transit.

Minimum Order:

The minimum order required for complete product is \$250.00 net per invoice. The minimum invoice for parts orders is \$100.00 net per invoice.

Cancellation:

All canceled orders are subject to approval. A restocking charge will apply equal to any cost incurred by INTELLIKEY for either materials, fabrication, labor or engineering incurred up to the time of notification of cancellation or 35% whichever is greater.

All Non-Cataloged Goods may not be changed or cancelled.

Packaging:

All INTELLIKEY products are packaged and sold on a per item basis unless otherwise noted.

Delivery:

Orders will be given a scheduled delivery date based on estimated manufacturing lead times. Orders with insufficient information for processing may be subject to extended lead times. INTELLIKEY will use reasonable efforts to deliver products as estimated but makes no guarantees as to delivery dates.

INTELLIKEY will not be liable for back charges incurred based on availability of product or as a result of delays in delivery caused by strikes, fires, floods or any other causes beyond our control, including the material delivery of material to us. Under no circumstances shall INTELLIKEY be liable or accountable for consequential damages due to failure of delivery.

Returned Goods:

It is the policy of INTELLIKEY to not accept returns of any materials that are correctly furnished as per the Purchase Order.

Unused goods which are returned for credit will be subject to a 35% restocking charge. All approvals for restocking will require a written pre-authorization RMA (Returned Materials Authorization) with returned prepaid shipments

Goods which are defective under the terms of INTELLIKEY's warranty must be returned, for repair or replacement, with an RMA number provided by INTELLIKEY. All returned products must reference the provided RMA number. All return shipments must be freight prepaid to destination.

Taxes:

Prices do not include any present or future Federal, State or Local property, license, privilege, sales, use, excise, gross receipts or other taxes or assessments, which may result from transactions or any services performed in connection herewith.

Governing Law:

The rights and obligations of the parties shall be governed by the laws of the State of Florida, excluding any conflicts of law provisions. The United Nations Convention on Contracts for the International Sale of Goods shall not apply to this agreement.

Limited Warranty:

The terms and Conditions outlined above are subject to INTELLIKEY's Limited Warranty, which is included.

System 4000

Limited Warranty

INTELLIKEY Corp. warrants that its products are free from defects in workmanship and materials under normal use and service.

Provided: (1) INTELLIKEY has been notified within **one year of original installation** and (2) The product has been properly registered with INTELLIKEY Corp. ; and (3) INTELLIKEY has been given the opportunity of inspection by return of any alleged defective product to INTELLIKEY, or its authorized distributor or service center, at the address specified, free and clear of all liens and encumbrances, transportation prepaid, accompanied by an RMA stating the defects and proof of purchase; and (4) The product has not been modified, abused, misused, or improperly installed, maintained and/or repaired during such period; and (5) Such defects has not been caused by corrosion or ordinary wear and tear.

INTELLIKEY Corp. makes no other warranty, and all implied warranties including any warranty of merchantability or fitness for a particular purpose are limited to the duration of the expressed warranty period as set forth above. INTELLIKEY Corp.'s maximum liability hereunder is limited to the purchase price of the product. In no event shall the company be liable for any consequential, indirect, incidental or special damages of any nature arising from the sale or use of this product, whether in contract, tort, strict liability or otherwise.

This warranty gives you specific legal rights, and you may also have other rights which vary from state to state.

INTELLIKEY Corp. reserves the right to make changes in designs and specification or to make additions or improvements on its products without notice and without incurring any obligation to incorporate them on products previously manufactured. INTELLIKEY Corp. is not responsible for any modification, addition, or alteration to our products by others.

Limited Software Warranty

INTELLIKEY warrants the End-User for a period of 12 months after the date of installation that all Software licensed or sold by it under the Agreement shall: (i) be provided on non-defective media; (ii) conform to all specifications contained in its User manual and shall operate substantially as described in the User Manual; (iii) be free of any "time bombs," computer viruses, other harmful code, and copy protection mechanisms; (iv) operate compatible with the equipment and software identified in its User Manual; and (v) be at the current release level, unless a different release level is specifically requested by End-User.

(1) INTELLIKEY has been notified by the End-User in writing of such nonconformity prior to the expiration of the Software Warranty; and (2) INTELLIKEY has been given the opportunity to inspect such Software by return of any alleged nonconforming Software to INTELLIKEY, or its authorized distributor, accompanied by a written claim from End-User stating the nonconformity and enclosing proof of purchase; and (3) the nonconformity does not result from the Software being modified, abused, misused or improperly installed, maintained and /or repaired during such period by parties other than INTELLIKEY or its representatives.

For warranty service and shipping instructions, contact INTELLIKEY Corporation at:

INTELLIKEY Corporation
1600 Samo Road, Suite 105
Melbourne, FL 32935
Phone: 321-724-5595
Fax: 321-724-5695

Electronic Cylinders



Key Processing Units (KPU)



Quantum Plus Software



Lock Controllers



Intelligent Keys

System 4000

Applications

Controller

- Slim line projection ideal for narrow style door installations
- Stand-alone brain – “CPU”
- Battery operated (line power optional)
- Records an audit trail up to 1000 transactions
- Built-in real-time clock and calendar with DST adjustment
- Patented process protects against electrostatic discharge
- Surface mounted
- Two (2) cylinder ports for double cylinder application

Cylinder

- Retrofits all standard mortise locksets and most rim cylinder applications¹
- Interfaces between Intelligent Keys and Controller by secure encrypted infrared optics

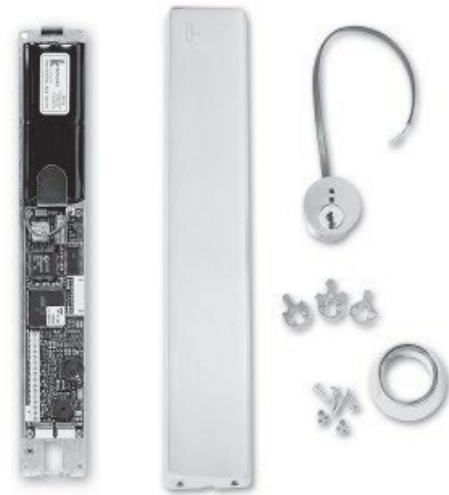
Includes

Slim Line Controller

- Pre-assembled electronics and mounting plate
- Escutcheon and gasket
- Alkaline or lithium battery pack (Cold Pack)² with plug connector
- Coin cell battery for clock function
- Mounting hardware/fasteners
- External power interface
- Two (2) cylinder inputs

Cylinder

- Electronic cylinder
- Security cylinder collar
- Full output terminal connectors
- Cams to fit most Corbin Russwin®, Yale®, Sargent®, Adams Rite® and Schlage® mortise locksets



Note: See Page 36 for Dimensions

Description	Part #	Finish
Slim Line controller/cylinder supplied with Alkaline battery pack	100003	605
	101310	613
	100004	626
Slim Line controller/cylinder supplied with Lithium battery pack (Cold pack) ²	101441	605
	101440	613
	101394	626

Notes:

1. The mortise cylinder included can be converted for use in applications with the addition of the Rim Cylinder Kit (part#100379, Page 31).
2. Use of Cold Pack Battery required for applications below 32°F/0°C non Fire-Rated doors.

Applications

Controller

- Small footprint suitable for most standard wood and hollow metal doors
- Stand-alone brain – “CPU”
- Battery operated (line power optional)
- Records an audit trail up to 1000 transactions
- Built-in real-time clock and calendar with DST adjustment
- Patented process protects against electrostatic discharge
- Surface mounted
- Two (2) cylinder ports for double cylinder application



Note: See Page 36 for Dimensions

Cylinder

- Retrofits all standard mortise locksets and most rim cylinder applications¹
- Interfaces between Intelligent Keys and Controller by secure encrypted infrared optics

Includes

Standard Controller

- Pre-assembled electronics and mounting plate
- Escutcheon and gasket
- Alkaline or lithium battery pack (Cold Pack)² with plug connector
- Coin cell battery for clock function
- Mounting hardware/fasteners
- External power interface
- Two (2) cylinder inputs

Cylinder

- Electronic cylinder
- Security cylinder collar
- Full output terminal connectors
- Cams for use with Corbin Russwin®, Yale®, Sargent®, Adams Rite® and Schlage® locks

Description	Part #	Finish
Standard controller/cylinder supplied with Alkaline battery pack	100002	626
Standard controller/cylinder supplied with Lithium battery pack (Cold pack) ²	101451	626

Notes:

1. The mortise cylinder included can be converted for use in applications with the addition of the Rim Cylinder Kit (part#100379, Page 31).
2. Use of Cold Pack Battery required for applications below 32°F/0°C non Fire-Rated doors.

System 4000

Applications Controller

- Mortised in the door for enhanced security and aesthetics
- Fire-rated doors use fire-rated metal escutcheon and standard controller assembly (Part #101405 below)
- Non-fire-rated doors use non-fire-rated plastic escutcheon and slim line controller assembly (Part #102126 below)
- Stand-alone brain – “CPU”
- Battery Operated (line power optional)
- Records an audit trail up to 1000 transactions
- Built-in real time clock and calendar with DST adjustment
- Patented process protects against electrostatic discharge



Note: See Page 37 for dimensions

Cylinder

- Retrofits all standard mortise locksets and most rim cylinder applications¹
- Interfaces between Intelligent Keys and Controller by secure encrypted infrared optics

Includes

Standard Controller

- Pre-assembled electronics and mounting plate
- Escutcheon and gasket
- Alkaline or lithium battery pack (Cold Pack)² with plug connector
- Coin cell battery for clock function
- Mounting hardware/fasteners
- External power interface
- Two (2) cylinder inputs

Cylinder

- Electronic cylinder
- Security cylinder collar
- Full output terminal connectors
- Cams for use with Corbin Russwin®, Yale®, Sargent®, Adams Rite® and Schlage® locks

Description	Part #	Finish
Metal mortise controller/cylinder supplied with Alkaline battery pack UL listed	101405	630
Plastic mortise controller/cylinder supplied with Alkaline battery pack non-UL listed	102126	Black

Notes:

1. The mortise cylinder included can be converted for use in applications with the addition of the Rim Cylinder Kit (part#100379, Page 31).

Applications

- Allows facility to manage its own System 4000 access control
- Software, hardware and programming equipment required for each new system installation
- KPU interfaces between the electronic keys and system software (Quantum Plus)
- LPU interfaces between electronic cylinders and system software
- EPU-K and EPU-L emergency power units for hookup between standard 9V battery and INTELLIKEY keys and locks



Includes

- Key Processing Unit (KPU) # 100271
- Lock Programming Unit (LPU) with Emergency Power Unit (EPU-L clip) # 101257
- One (1) USB to serial adapter
- Two (2) Emergency Power Unit-Keys (EPU-K) # 100843
- One (1) Site Code Key # 100398
- Spanner screwdriver # 100544
- Corrosion block # 100795
- Hardware installation DVD # 101625
- Quantum Plus Standard Software and manual # 102185

Description	Part #	Finish
Front End package with Quantum Plus software standard version	100522	-

System 4000

Multi Site Front-End Package

Applications

- For eligible wholesalers, distributors, dealers and service centers to establish and support multiple systems
- Includes basic installation and servicing equipment and information



Includes

- Front-End Package
- Key Processing Unit (KPU) # 100271
- Lock Programming Unit (LPU) # 101257
- One (1) USB to serial adapter
- Spanner screwdriver # 100544
- Two (2) Emergency Power Unit-Keys (EPU-K) #100843
- One (1) Site Code Key # 100398
- Battery tester # 100228
- Corrosion Block # 100795
- Quantum Plus Multi Site Software and manual # 102186
- Hardware installation DVD # 101625
- Slim-line demo mounted in plexiglass with 2 unprogrammed end-user (black) keys # 101253
- One (1) Slim Line controller # 100004
- Ten (10) end-user (black) keys # 100393
- Rim cylinder kit # 101542

Description	Part #	Finish
Front End package with Quantum Plus software multi site version	101313	-



Applications

- Built-in programmable microprocessor in the key
- Functions include:
 - Access restriction
 - Audit
 - Lock/cylinder update and programming
 - Time zone control
 - Self-authorizing of the key and/or lock
 - Life span

Description	Part #	Finish
Intelligent key	100393	Black
Intelligent key - Special order only	100989	Clear
Intelligent key - Special order only	101586	Blue
Intelligent key - Special order only	101587	Green

NOTES

Black keys are standard End-User keys.
 For special order keys please call INTELLIKEY for minimum quantity, pricing and delivery.

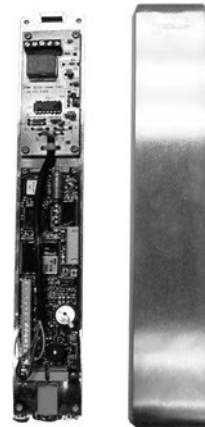
System 4000

Specialized System Applications

Cylindrical Lock



Mini-DCU



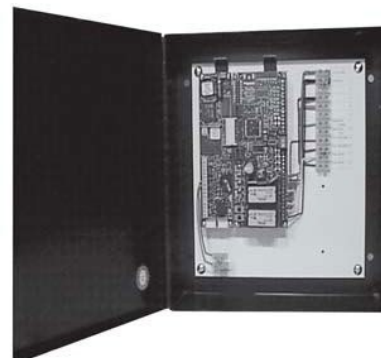
Cabinet Lock



Gate Lock



Standard DCU



Applications

Controller

- ANSI/BHMA Grade 1 lock for standard cylindrical lock door preparations
- Offices, interior classrooms, storerooms, and other interior lower traffic areas
- 1-3/4" to 2-1/4" (44mm to 57mm) thick doors with a 2-3/4" (70mm) backset. Can be used on 1-3/8" (35mm) thick doors by adding spacer plates¹



Note: See Page 38 for dimensions
Cylindrical Locksets are not recommended for exterior applications

Includes

Slim Line Controller

- Pre-assembled electronics and mounting plate
- Escutcheon and gasket
- Alkaline battery pack
- Coin cell battery for clock function
- Mounting hardware/fasteners
- External power interface
- Two (2) cylinder inputs

Cylindrical Lever

- Complete ANSI/BHMA Grade 1 lockset
- Electronic cylinder
- Quick connectors for hookup to controller

Description	Part #	Finish
Cylindrical lockset with controller - storeroom function (F86) (Outside lever always locked)	100097	605
	101305	613
	100099	626
Cylindrical lockset with controller - Entry/Office function (F81/F82) - (Outside lever locked by inside pushbutton)	100106	605
	101306	613
	100108	626

Note:

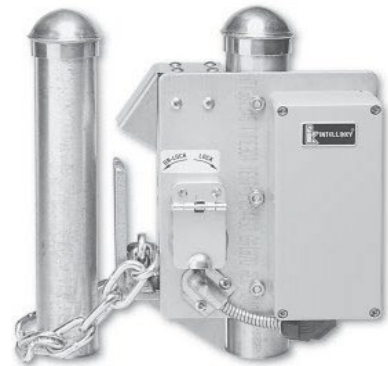
1. Spacer plates are handed. Contact INTELLIKEY Technical Product Support for details.

System 4000

Gate Locks

Applications

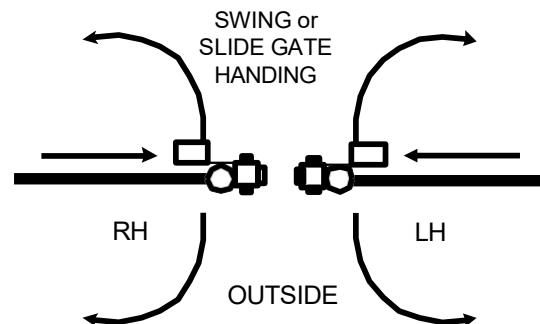
- Access control for both sides of swing and slide gates
- Provides a secure alternative to padlocks on your site perimeter
- The lock mechanism is constructed of 8-ply laminated stainless steel. Center ply has alumina-ceramic core to defeat any hacksaw attack including rod-type “super” hacksaws
- No costly gate adjustment required-easy to install or retrofit
- Automatically compensates for the usual sags and misalignment inherent in swing gates
- Weatherproof
- Available in both left- and right-handed versions
- Meets the criteria established by the Federal Aviation Administration (FAA) in FAR Parts 107.13 and 107.14



Note: See Page 41 for dimensions

Includes

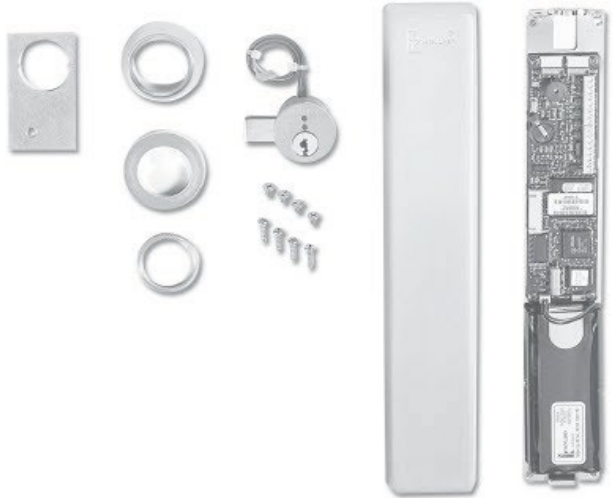
- Cold-Pack lithium battery
- Controller
- Two (2) electronic cylinders
- Chain NOT included



Description	Part #	Finish
Gate lock left hand version	100819	626
Gate lock right hand version	100820	626
Gate lock replacement weather cover kit	102035	626

Applications

- For retrofitting drug carts and cabinets, computer/electronics cabinets, key cabinets, lock boxes, etc.
- Surface mounted controllers small footprint fits a variety of cabinets
- Works with various cabinet door thicknesses using assorted cylinder collars and/or spacers (see Page 32).



Includes Controller

- Slim-line controller and mounting plate
- Escutcheon
- Escutcheon gasket
- Alkaline battery pack
- Full output terminal connectors
- Two (2) cylinder ports
- External interface and mounting hardware
- 626 finish

Note: See Page 39 for dimensions of cam lock

Cylinder

- Cylinder with heavy-duty cam
- Security collar
- Cash box nut
- Cylinder mounting plate
- 3/8" (9.53mm) spacer

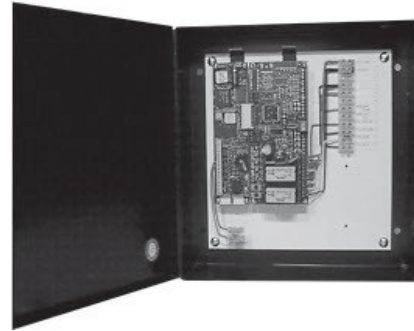
Description	Part #	Finish
Cabinet lock with Slimline controller	102107	626
Cabinet lock with Standard controller	102092	626
Cabinet lock cylinder only	102165	626

System 4000

Door Control Unit with Fixed Cylinder

Applications

- With fail safe or fail secure locking devices such as electric strikes or magnetic locks used in conjunction with INTELLIKEY locking devices and cylinders
- At high traffic/frequency locations where direct wiring is preferred to battery power (DC).
- With double cylinder doors or double doors
- Extra cylinder and cable (Part #100026 below) for use where egress cylinders required



Electrical Specifications

- Requires 12VDC or 24VDC regulated and filtered power supply with battery backup
- 12VDC @ 250mA / 24VDC @ 125 mA

Includes

DCU with Fixed Cylinder

- Pre-assembled housing, controller and relay board suitable for wall mounting
- Fixed cylinder
- Two (2) cylinder ports
- 20-foot (6.1m) extension cable
- Electronic cylinder (626) assembled in standard size cover plate with extra slim line cover plate included
- Door loop



Note: A separate power supply with backup batteries is required. Some applications may require push buttons and door position switches.

Additional Cylinder and Extension Cable

- One (1) fixed, non-rotating electronic cylinder installed in a standard style cover plate
- Extra slim-line cover for additional controller (if needed)
- 20 ft. (6.1m) extension cable

Note: See *Pages 42 & 43* for wiring information

Description	Part #	Finish
DCU standard unit with one fixed cylinder kit	100323	-
Option: Additional fixed cylinder and extension cable	100026	626
DCU replacement back panel	100325	-

Mini Door Control Unit (Mini-DCU)

System 4000

The Mini DCU combines the intelligent functionality of the INTELLIKEY DCU and the simplicity of a door-mounted small footprint (just 2"x12").

Applications

- With electric strikes or magnetic locks used in conjunction with INTELLIKEY locking devices and cylinders
- At high-traffic/frequency locations where direct wiring is preferable to battery power
- With double cylinder doors or double doors

Includes

DCU with Fixed Cylinder

- Controller and mini relay board in slim line mounting plate with escutcheon
- Two (2) cylinder ports
- SPDT (dry output relay)
- Electronic fixed cylinder (626) assembled in slim line cover plate (shown) included

Note: A separate power supply with backup batteries is required. Some applications may require push buttons and door position switches.

Additional Cylinder

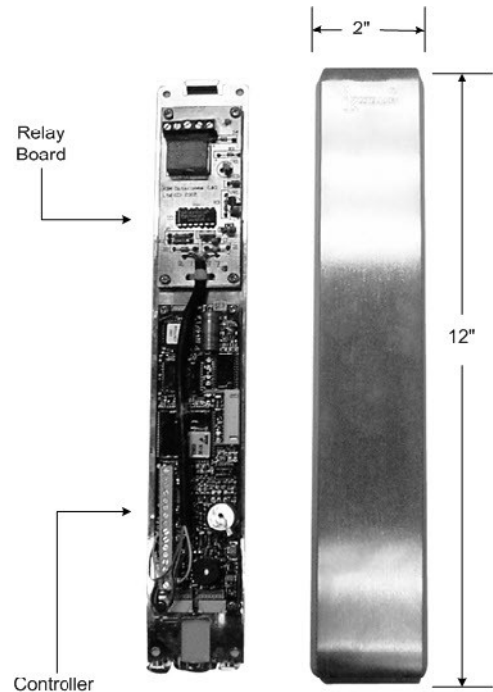
- One (1) fixed, non-rotating electronic cylinder installed in a standard style cover plate with a 20-foot (6.1m) extension cable

Electrical Specification Power Requirement

- 12 VDC @ 250 mA

Relay Rating

- 2 amp @ 30VDC (SPDT)



Fixed Cylinder

Description	Part #	Finish
Mini-DCU unit in Slim line case with one fixed cylinder kit	102151	626
Option: Additional fixed cylinder and extension cable	100026	626

System 4000

Demonstration Units and Service/Installation Tools

Accessories



Plexiglass Demo



Cylindrical Lock Jig

Components



Cylindrical Lock



Electronic Cylinder

Parts



Mortise cylinder Cams

Batteries



Standard

Slim Line



Gate Lock Demo



Cylindrical Lock Demo



Plexiglass Demo



Mortise Lock

Sales Demonstration Kit (Part #101422 Below)

- One (1) Site Code key # 100398
- Five (5) end-user keys # 100393
- Key Processing Unit (KPU) # 100271
- Lock Programming Unit (LPU) # 101257
- One (1) USB to serial adapter
- Plexiglass demo block with mortise cylinder and slim-line controller # 101253
- One (1) EPU-K clip # 100843
- Quantum Plus software (Standard version) # 102185
- Demonstration carry case



Description	Part #	Finish
Mortise lock demo mounted in wood demo block	100394	626
Cylindrical lock demo mounted in wood demo block	100329	626
Sales demo kit (includes demo case)	101422	626
Plexiglass demo with controller & cylinder	101253	626
Gate lock demo kit (includes demo case)	101424	626
Quantum Plus demo software	102219	-

System 4000

Service and Installation Tools



#100228 Battery Tester



#100028 Cylindrical Lock Jig



#100544 Security Screwdriver



#100289 EPU-L



#100843 EPU-K



#100795 Corrosion Block

Description	Part #	Finish
Cylindrical lock jig	100028	-
Mortise lock jig	100547	-
Security screwdriver (#8 spanner driver with handle)	100544	-
Corrosion Block, 4 oz size	100795	-
Battery tester cables	100228	-
Emergency power unit clip for LPU (EPU-L)	100289	-
Emergency power unit clip for key (EPU-K)	100843	-
Installation manual	102220	-
Installation video (DVD only)	101625	-

**Applications
Controller**

- ANSI/BHMA Grade 1 lock for standard cylindrical lock door preparations
- Offices, interior classrooms, storerooms, and other interior lower traffic areas
- 1-3/4" to 2-1/4" (44mm to 57mm) thick doors with a 2-3/4" (7mm) backset. Can be used on 1-3/8" (35mm) thick doors by adding spacer plates².



Includes

- Complete ANSI/BHMA Grade 1 lockset
- Electronic cylinder
- Quick connectors for hookup to controller

Note: See *Page 38* for dimensions
Not recommended for exterior applications

Description	Part #	Finish
Cylindrical lockset less controller - storeroom function (F86) (Outside lever always locked)	100195	605
	101163	613
	100197	626
Cylindrical lockset less controller - Entry/Office function (F81/F82) - (Outside lever locked by inside pushbutton)	100184	605
	101164	613
	100186	626

Note:

1. Controllers are NOT included.
2. Spacer plates are handed. Contact INTELLIKEY Technical Product Support for details.

System 4000

Electronic Cylinders

Applications

Mortise/Rim Cylinder

- Retrofits all standard mortise locksets/key switches and most rim cylinder applications*
- Communicates between Controller and Intelligent Keys by secure encrypted infrared optics



Includes

- Electronic cylinder

Note: See *Page 38* for dimensions

*Rim Cylinder Kit required (see part #100379 below) for use with rim devices

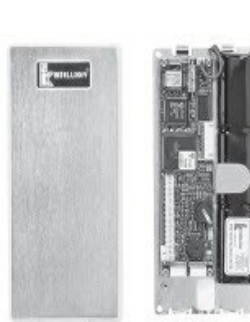
Description	Part #	Finish
Electronic mortise cylinder only	100295	605
	101035	613
	100297	626
Rim cylinder kit with security collar	100379	626
Rim cylinder kit less security collar	101542	-

Applications

- Stand-alone brain
- Battery operated (line power option)
- Records an audit trail of legal and illegal transaction
- Built-in real-time clock and calendar with DST adjustment
- Patented process protects against electrostatic discharge
- Surface mounted
- Two (2) cylinder ports for double cylinder applications

Includes

- Electronics
- Escutcheon and gasket
- Mounting plate
- Mounting hardware
- Battery pack
- Coin cell battery
- External power interface
- Two (2) cylinder ports



Standard Controller



Slim Line Controller



Mortised Controller
Fire-Rated



Mortised Controller
Non-Fire-Rated

Description	Part #	Finish
Standard controller only with alkaline battery pack	100206	626
Slim line controller only with alkaline battery pack	100203	605
	101337	613
	100204	626
Standard controller only with lithium battery pack	101444	626
Slim line controller only with lithium battery pack	101442	605
	101434	613
	101395	626
Metal mortised controller only UL listed	102119	626
Plastic mortised controller only non-UL listed	100201	Black

System 4000

Programming Equipment

Applications

- Key Processing Unit (KPU) interfaces between PC and keys for both programming and auditing of keys (Software and PC separate)
- Remote KPU interfaces with a PC located off-site via modem. This allows an off-site control or outsource of Quantum Plus software administration.
- Lock Programming Unit (LPU) with Emergency Power Unit-Lock (EPU-L) interfaces between PC and locks/cylinders for both programming and auditing of locks/cylinders (Software and PC separate)

Note: Locks can be audited with LPU or audit key or by reading end-user keys with a KPU. USB to serial adapter included with KPU and LPU products below.



KPU

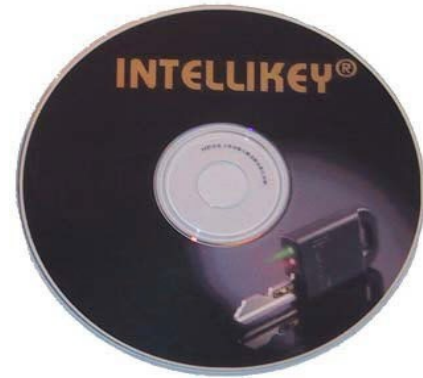


Remote KPU



LPU

Description	Part #	Finish
Key Processing Unit (KPU) with USB to serial adapter	100271	Beige
Remote KPU with modem	100405	Beige
Lock Programming Unit (LPU) with EPU-L clip	101257	Black



Applications

- Quantum Plus is a major upgrade from Quantum or EZ123
- Works with Windows® 2000, XP and Vista
- Faster processing of system changes in multi-station LAN/WAN environments
- Battery warning level selection
- Addition of special functions:
 - **Dual Key Operation:** Lock controllers can be programmed to require insertion of two specific keys within a 15-second period to gain access. e.g., One key controlled by security guard, other by manager
 - **Anti-Passback:** Lock controllers can be programmed to prevent a key holder from using a key twice in a row in the same door. e.g., In a parking lot or building, the key holder must open the exit gate/door before the key will operate the entrance gate/door again.
 - **Shutout Key:** Allows creation of a key which can be inserted into the cylinder to prevent all other keys from working temporarily until the shutout key is reinserted. e.g., When a room needs to be temporarily secured or “quarantined” in an emergency situation.
 - **Disabler Key:** Allows creation of a key that will disable a specific key in any or all controllers. e.g., Simple and fast deletion of a lost or stolen key – multiple Disabler Keys can be made to handle a large number of doors.
 - **Guard Tour:** Allows creation of a key that records the controller/lock identification and date/time of each insertion into each cylinder for auditing guard tour activity.

Description	Part #	Finish
Quantum Plus standard software (End User)	102185	-
Quantum Plus multi-site software (Dealer)	102186	-
Quantum Plus demo software	102219	-

System 4000

Cams and Rim Cylinder Kit



100176 - Adams Rite®



100175 - Corbin Russwin®



100174 - Schlage®



100379 - Rim Cylinder Kit with security collar



101542 - Rim Cylinder Kit

Description	Part #	Finish
Rim cylinder kit with security collar	100379	626
Rim cylinder kit less security collar	101542	-
Mortise cylinder cam kit includes Adams Rite®, Corbin/Russwin® and Schlage® cams one (1) each	100372	-
Cams for Schlage® mortise locksets (package of 10)	100174	-
Cams for Corbin/Russwin® mortise locksets (package of 10)	100175	-
Cams for Adams Rite® mortise locksets (package of 10)	100176	-



Description	Part #	Finish
Cylinder security collar with wave washer	101328	605
	101329	613
	100606	626
Cylinder security collar system for cylindrical deadbolts includes special security collar & cam	101319	605
	101320	613
	101322	626
Cylinder security collar for Adams Rite mortise locksets	101323	613
	100182	626
Cylinder collar spacer 1/8" (3.2mm)	100364	626
Cylinder collar spacer 3/16" (4.8mm)	101048	605
	101675	613
	100365	626
Cylinder collar spacer 1/4" (6.3mm)	101324	605
	101325	613
	100374	626
Cylinder collar spacer 3/8" (9.5mm)	100366	605
	101088	613
	100367	626
Cylinder collar spacer 1/2" (12.7mm)	101326	605
	101087	613
	100373	626

System 4000

Batteries and Escutcheons



Batteries
Standard Slim Line



Slim Line



Standard



Plastic Mortise
Case



UL Mortise

Description	Part #
Alkaline Battery Pack for standard & UL mortised controllers	100178
Alkaline Battery Pack for slim line & plastic mortise controllers	100179
Lithium (cold-pack) Battery Pack for standard controllers	100180
Lithium (cold-pack) Battery Pack for slim line & plastic mortise controllers	100181

Includes one coin cell with each battery pack

Description - Escutcheons	Part #	Finish
Standard Escutcheon kit	101343	626
	101344	605
Slim Line Escutcheon kit	101345	613
	101346	626
Plastic Mortised Escutcheon kit	101347	Black
UL Mortised case Escutcheon kit	101298	626



Description	Part #	Finish
Cylinder extension cable 1 foot (30cm)	100161	-
Cylinder extension cable 3 feet (91cm)	100359	-
Cylinder extension cable 4 feet (1.52 meters)	100162	-
Cylinder extension cable 6 feet (1.83 meters)	100358	-
Cylinder extension cable 20 feet (6.1 meters)	101448	-
Cylinder extension cable 50 feet (15.2 meters)	101170	-
Door transfer loop (will house one extension cable)	100033	626
Extension adapter for cylindrical locksets and Euro cylinders	100034	-

Dimension Drawings

Terminal Connections

Technical Bulletins

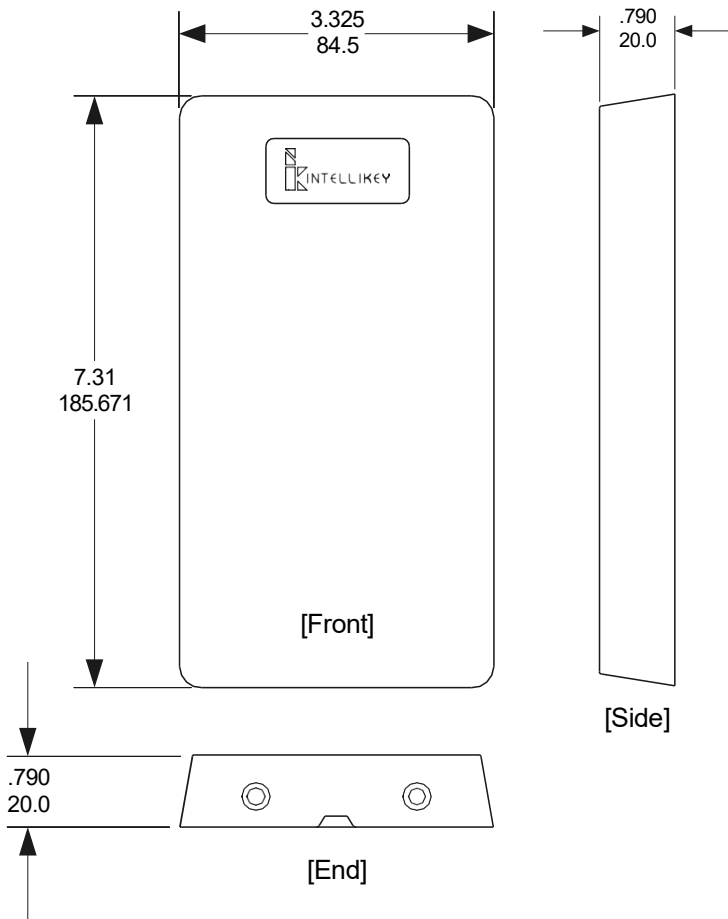
For Technical Support, call INTELLIKEY toll-free at (800) 226-0703.
Please advise the operator of the nature of your problem.

Please note:

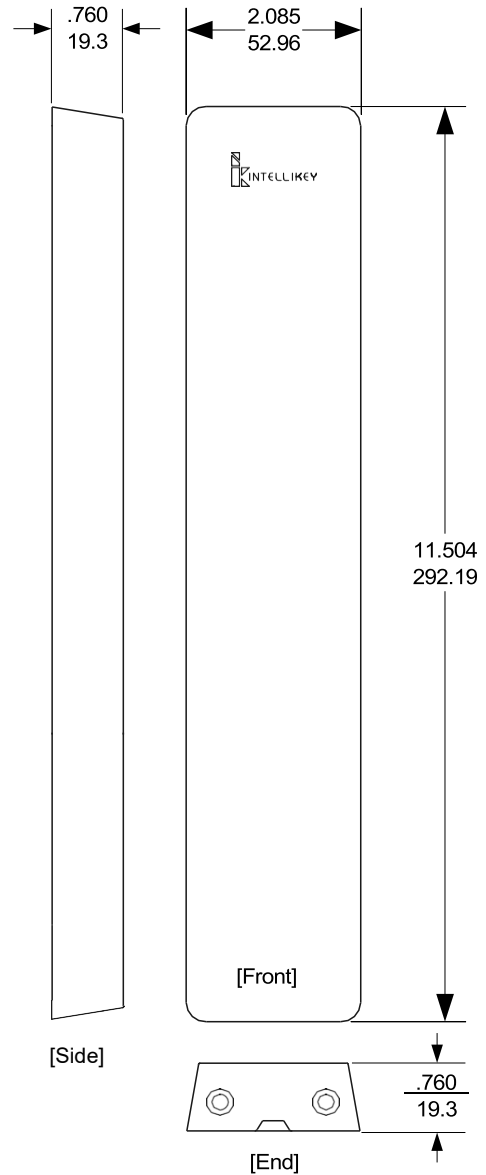
The dimensions shown in this catalog are for reference only and
should not be used as a template.

Templates can be found at www.intellikey.com
or call
(800) 226-0703 to request the correct template.

Dimensions are shown in inches
mm



Standard Escutcheon

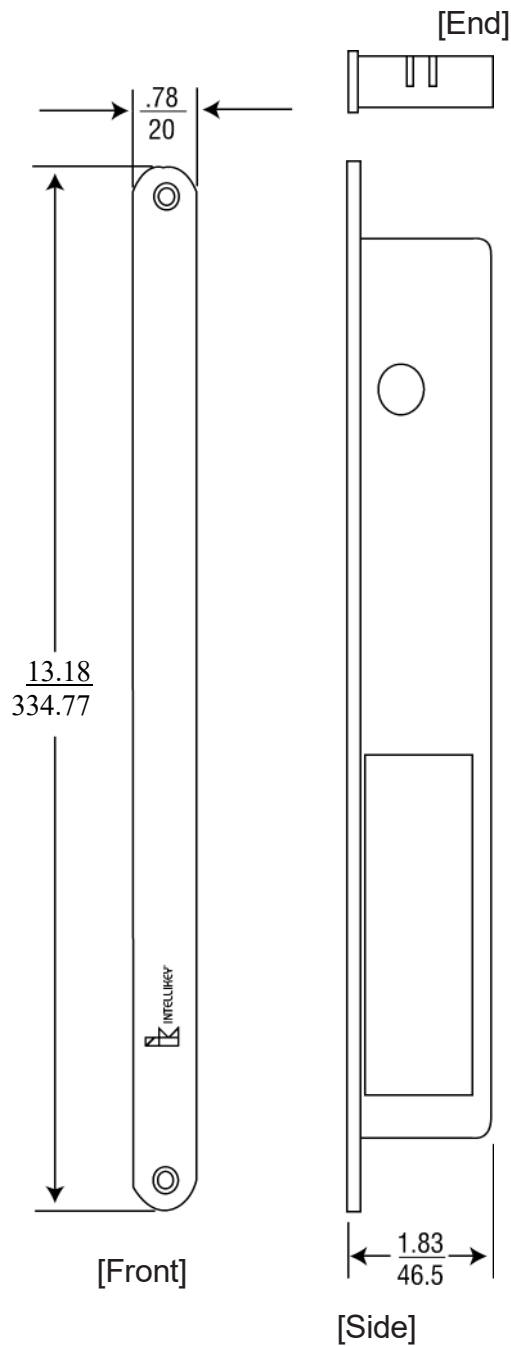


Slim Line Escutcheon

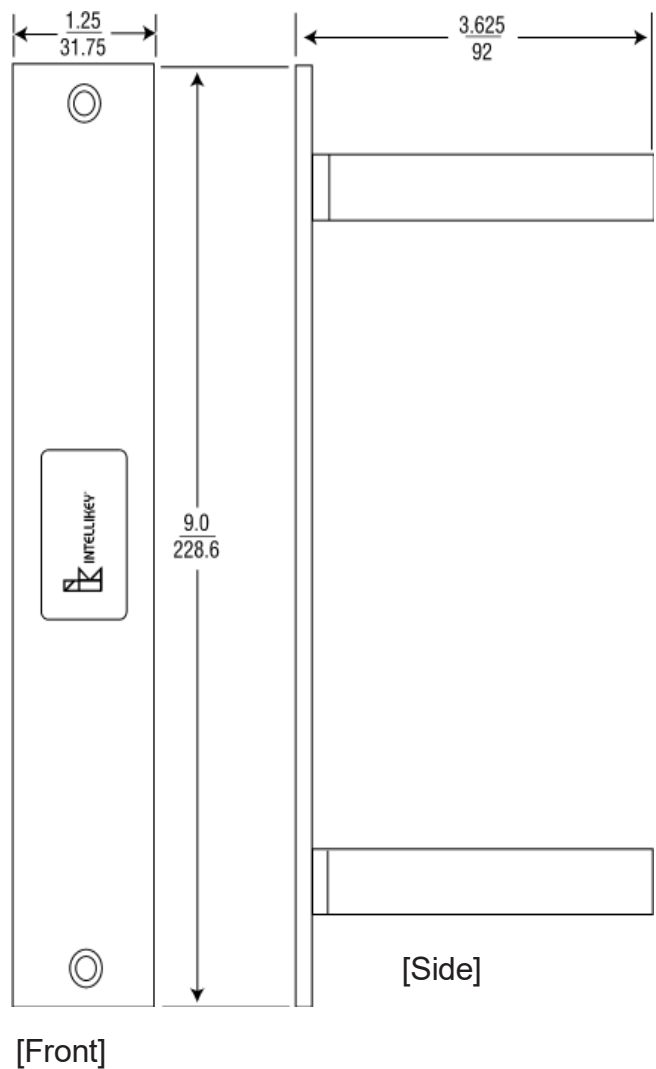
System 4000

Dimension Drawings Controller Escutcheons

Dimensions are shown in inches
mm

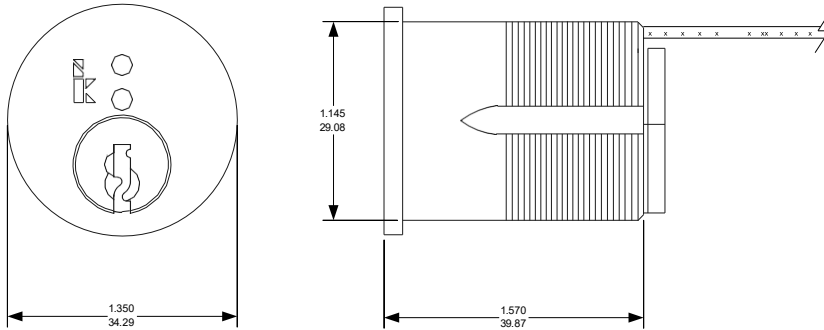


Non-Fire-Rated Mortise Case



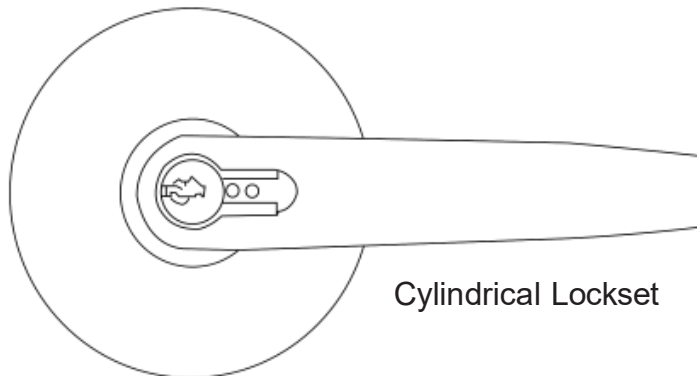
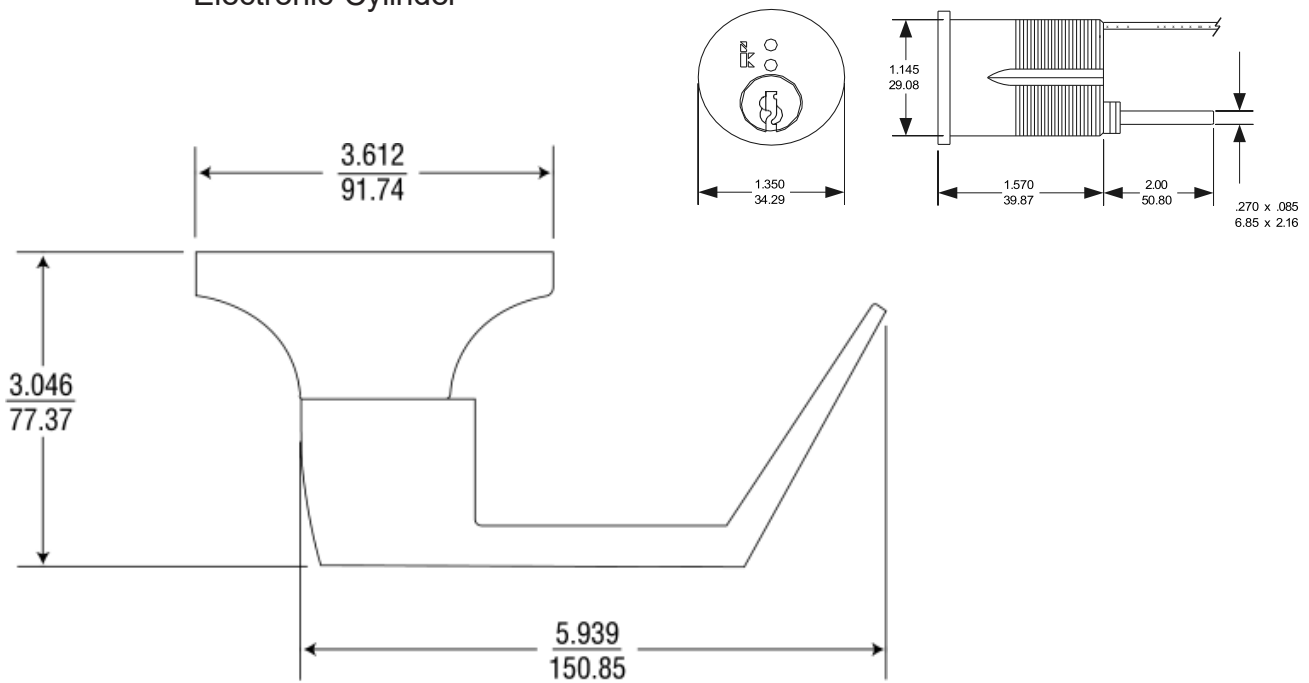
**Fire-Rated Metal Mortise Case
(For UL Listed Doors)**

Dimensions are shown in inches
mm



Electronic Cylinder

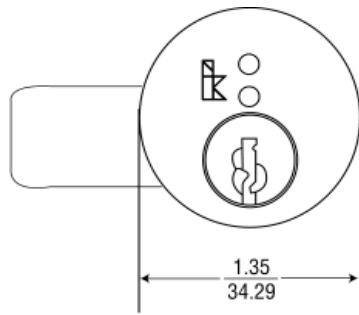
Electronic Cylinder
with Rim Kit



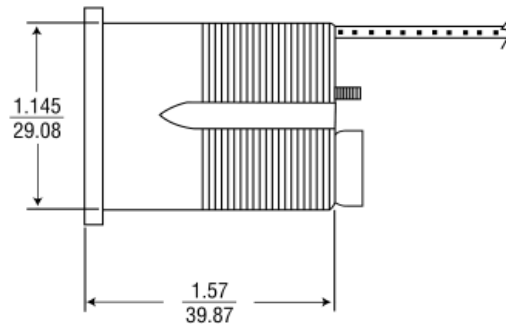
Cylindrical Lockset

System 4000

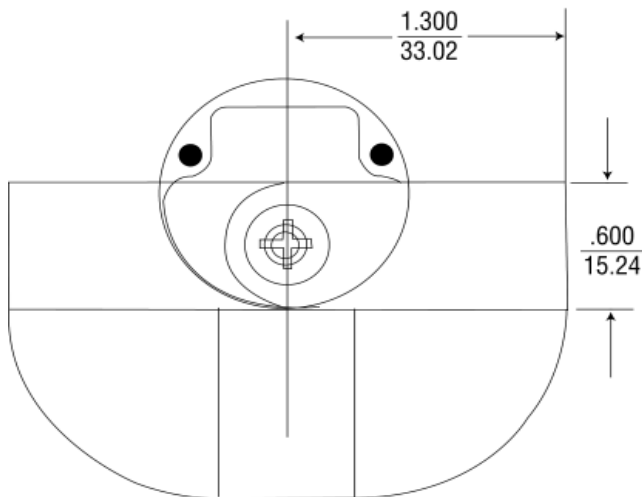
Dimensions are shown in inches
mm



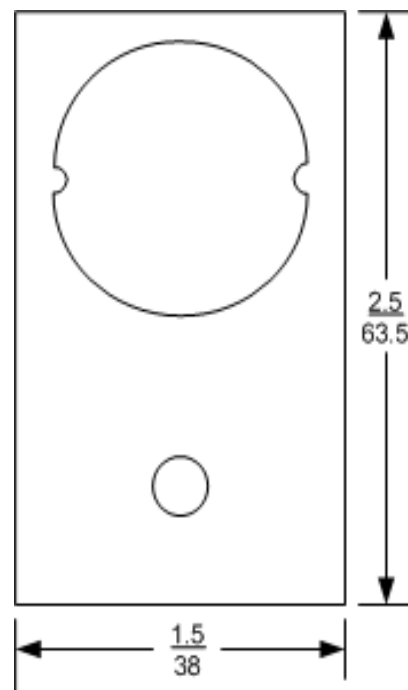
[Front]



[Side]

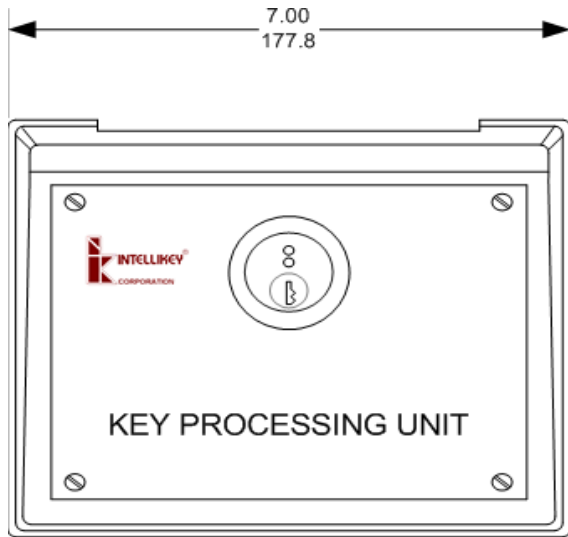
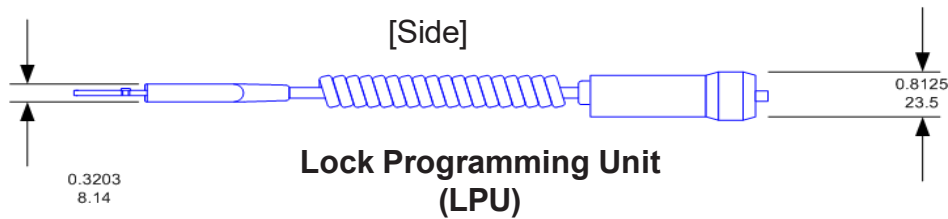
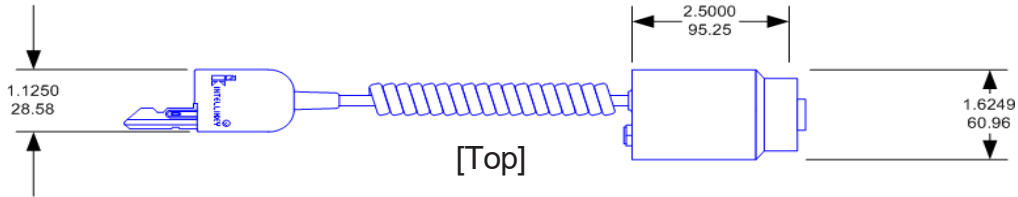


[Rear]



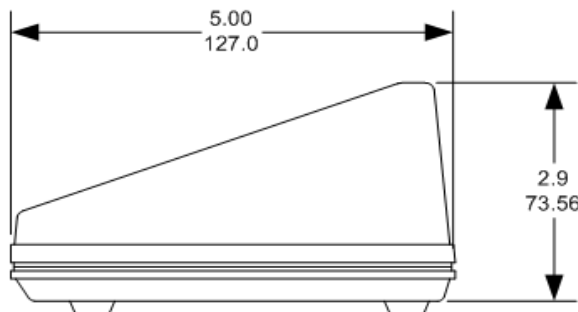
[Mounting Plate]

Dimensions are shown in inches
mm

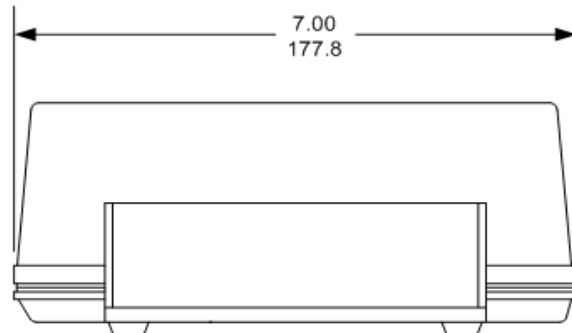


Top view

Key Processing Unit (KPU)



Side view

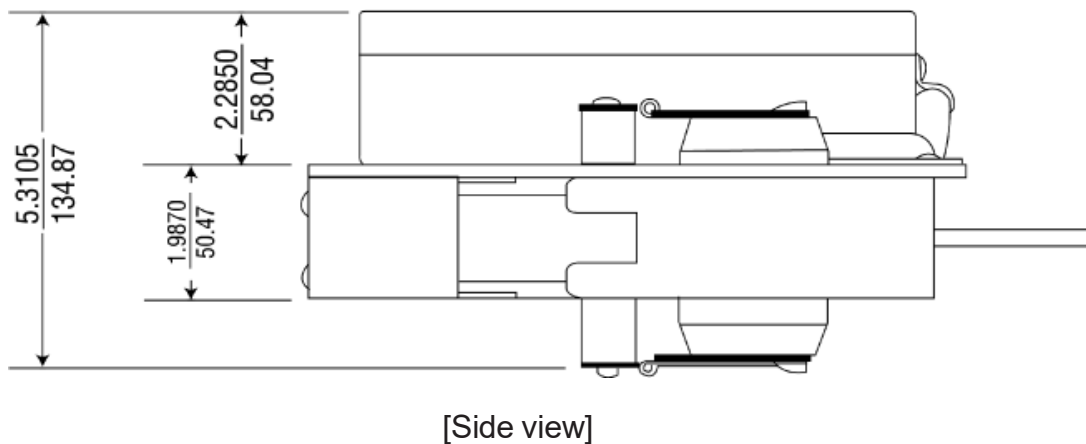
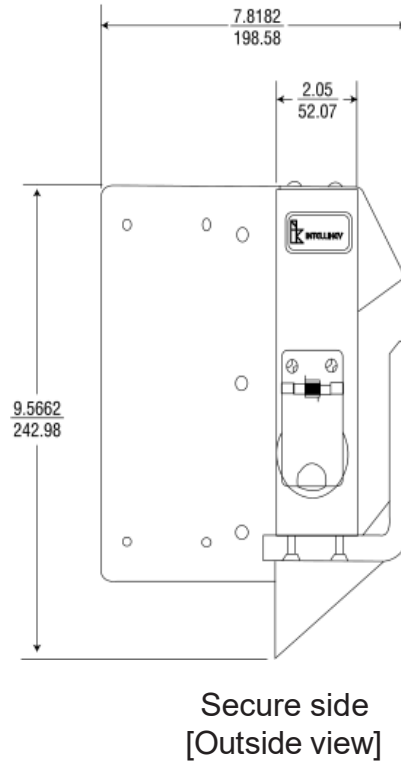
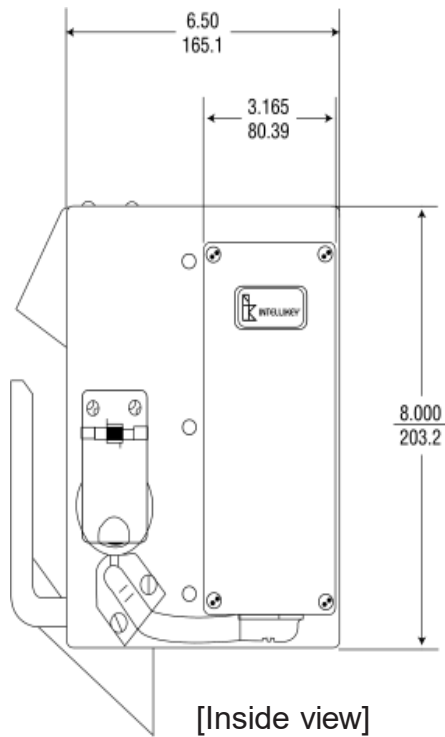


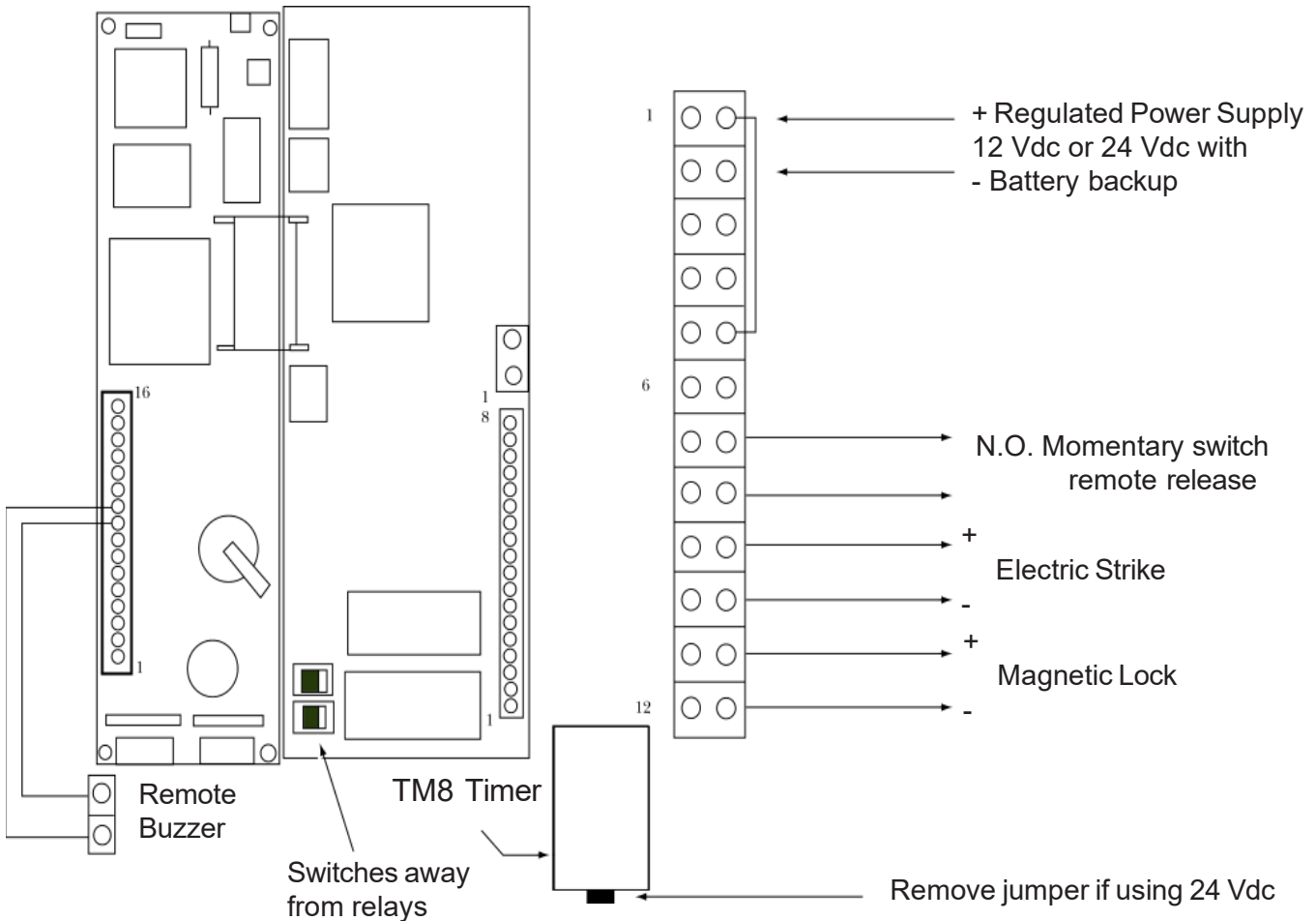
Rear view

System 4000

Dimensions are shown in inches
mm

Note: RH Pictured

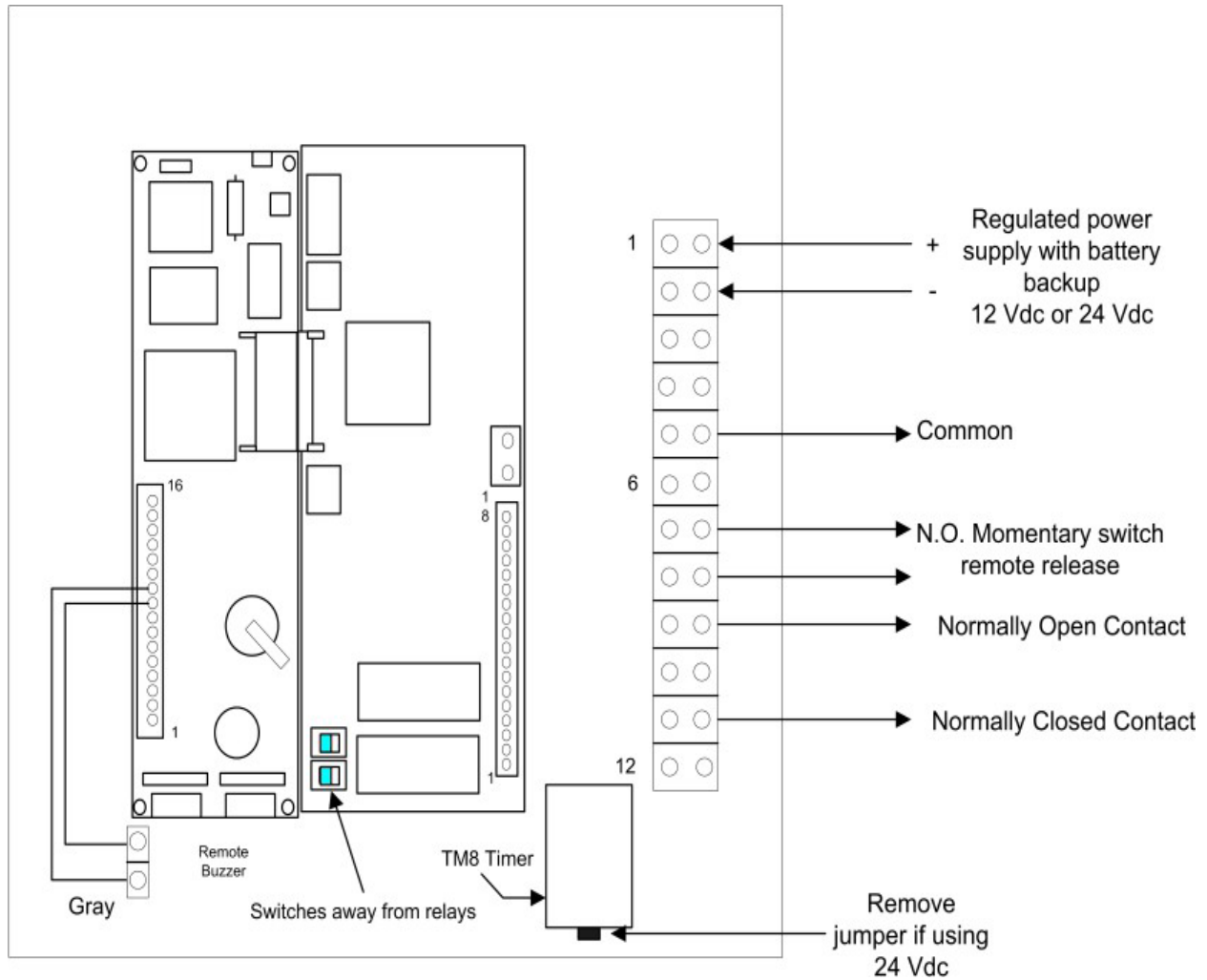




Output voltage will be the same as the input voltage with jumper between 1 & 5. i.e.: 24Vdc in=24 Vdc out. The DCU4000RBM has 1 input and 2 outputs. The single input is for an N.O. momentary switch which is used to remotely unlock a door. The 2 powered outputs are: One for electric strike or fail safe (power to lock) device. It is recommended that the DC input voltage and both the input and outputs be fused. The slide switches on Relay Module must be toward the Lock Electronics Module. If using 24 Vdc the jumper in the TM8 timer must be removed.

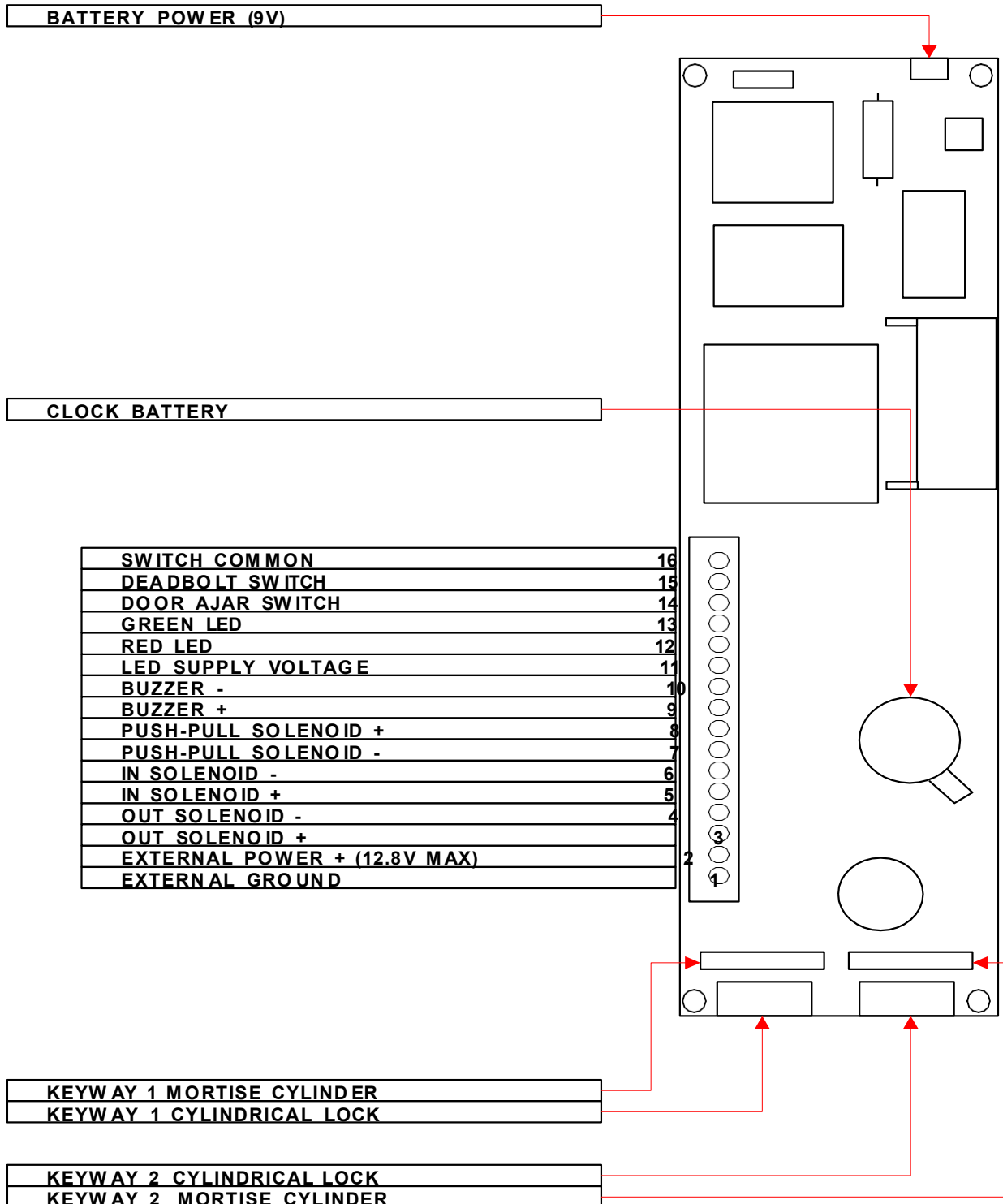
System 4000

DCU Terminal Connections Dry Contacts



With jumper between 1 & 5 removed the DCU4000RBM has 1 input and 2 dry outputs. The single input is for an N.O. momentary switch which is used to remotely unlock a door. The 2 dry outputs, with jumper removed, are common number 5 with the normally open being number 9 and the normally closed being number 11. The regulated 12 or 24 Vdc is connect to terminals 1 and 2 with 1 being plus (+) and 2 negative (-). It is recommended that the DC input voltage and the outputs be fused. The slide switches on Relay Module must be toward the Lock Electronics Module.

Lock Controller Electronics Module



Battery Life

The chart below shows the average cycles per day and expected battery life when used with the INTELLIKEY controller.

Operations per Day	Alkaline Expected Battery Life ²	Lithium (Cold Pack) ^{1,2} Expected Battery Life
15	3 years	4.5 years
50	1 year	2 years
100	7 months	1 year
200	4 months	6 months
200+	See Note 3	See Note 3

Notes:

1. Cold packs required for applications below 32°F/0°C.
2. Battery life will vary \pm 20% in different environments.
3. If the controller receives more than 200 cycles per day it is highly recommended to use a 12 Vdc regulated UL listed power supply with battery backup.

Labeled Fire Doors

The 101405 Mortised Controller and electronic cylinders have successfully passed the NFPA 252 fire door test for 3-hour hollow metal doors and 90-minute wood composite doors tested by Warnock Hersey Inc. (Intertek Testing Services NA Inc.)

- Metal door “3-hour” - Listing report J98025814A-231
- Mineral core wood “90-minute” - Listing report J98030466-231
- UL10B equivalent

Note: Cold-Pack Lithium batteries cannot be used on fire-rated doors.

Test data is available upon request.

UL294

Product Covered:
System 4000

Product Description:

The INTELLIKEY controllers, electronic cylinders and intelligent keys passed the physical abuse, weather, salt spray, electrostatic discharge (ESD) and electromagnetic signal omission tests administered by Warnock Hersey, Inc. (Intertek Testing Services NA Inc.)

- Listing report 544529
- UL294 equivalent

Test data is available upon request.

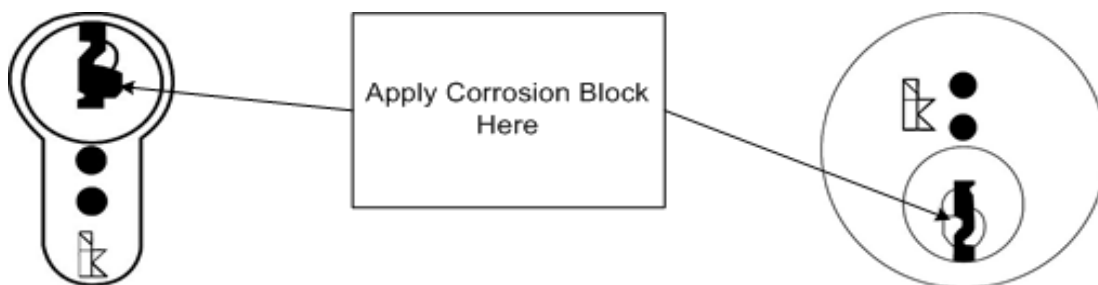
Application of Corrosion Block to INTELLIKEY Cylinders

All INTELLIKEY cylinders should be periodically treated with Corrosion Block (INTELLIKEY part #100795) to resist corrosion of the electrical contacts and prevent excessive wear to the core of the cylinder.

Cylinders mounted on external doors, or with more than 100 transactions per day, should be treated once a month, while all other cylinders should be treated at least every six months.

Failure to use Corrosion Block, particularly in certain adverse environments, could result in corrosion or wear leading to invalidation of the INTELLIKEY warranty on the cylinder concerned. Use of non-approved lubricants (e.g. WD40) could also lead to invalidation if a failure occurs due to their use. Use of any graphite-based lubricant will invalidate the warranty and could damage the INTELLIKEY cylinder and controller.

Corrosion Block should be applied into the keyhole of the cylinder (one or two drops) with particular attention being paid to the electrical contact within (cf. diagram). Following application an INTELLIKEY key should be inserted and the cylinder core rotated several times so as to distribute the lubricant fully.



Quantum Plus Software in use with USB Ports

Quantum Plus software requires the use of a serial port for communication between an INTELLIKEY Lock Programming Unit (LPU) or Key Processing Unit (KPU) and a personal computer. If a computer to be used with the Quantum Plus software comes with only USB ports (no serial ports available), a USB to Serial Adaptor can be used to convert to serial communication.

System 4000

INTELLIKEY Cams for use with Corbin Russwin® Mortise Locksets

INTELLIKEY Electronic Cylinders come standard with a straight cam suitable for use with many lock and exit device manufacturers including Yale® and Schlage®. If you plan to use a Corbin Russwin® mortise lock with the INTELLIKEY electronic cylinder, please **MAKE A NOTE ON YOUR PURCHASE ORDER REQUESTING THE SUBSTITUTION OF A CORBIN RUSSWIN CLOVER-LEAF or STRAIGHT CAM**. The correct cam will then be pre-assembled with Loctite on your order.

There are currently two Corbin Russwin INTELLIKEY part numbers that include Corbin Russwin cams (for ordering separate from cylinders).

- 100175 Package of 10 Corbin Russwin (Cloverleaf) Cams.
- 100372 Package of Adams Rite®, Corbin Russwin® & Schlage Cams.

The Corbin Russwin cams used in these part numbers as of July 15, 2002 has be changed to a new cam designed for a more precise tolerance. This is a cloverleaf cam suitable for use with all mortise lock functions except for a classroom function. The part is also found in the Corbin Russwin parts catalog as 695F932.

If you plan to use a Corbin Russwin classroom function mortise lock with INTELLIKEY electronic cylinders, please order Corbin Russwin INTELLIKEY part number:

- 102150 Package of 10 Corbin Russwin Classroom Function (Straight) Cams.

This part number is also found in the Corbin Russwin parts catalog as 695F942.



For more information about the INTELLIKEY Product line please contact your authorized INTELLIKEY Distributor or Sales Representative.



in U.S.:
INTELLIKEY Corporation
1600 Sarno Road
Suite 105
Melbourne, FL 32935
Phone (321) 724-5595
Fax (321) 724-5695
www.intellikey.com
#102175

INTELLIKEY® and Quantum® are registered trademarks of INTELLIKEY Corporation. Other products brand names may be trademarks or registered trademarks of their respective owners and are mentioned for reference purposes only. These materials are protected under US copyright laws. Copyright© 2003, 2004, 2005, 2007 2009 INTELLIKEY, Corp. All rights reserved. All contents current at time of publication. INTELLIKEY, Corp. reserves the right to change availability of any item in this catalog, its design, construction, and/or its materials.